

VeriCure™ Secondary Glass Kit

Installation Instructions



For customers operating a VeriCure™ UV LED curing system in especially harsh operating environments, Excelitas offers a secondary protective glass kit. These kits are designed to protect the lamp's integrated quartz glass from mechanical impact, as well as from heavy resin or ink splatter that can be difficult to remove using standard cleaning methods. Each kit is user-assembled and can typically be installed in approximately 20 minutes.

Safety

Wear safety glasses and gloves anytime glass is being handled.

Equipment

2mm Hex Key

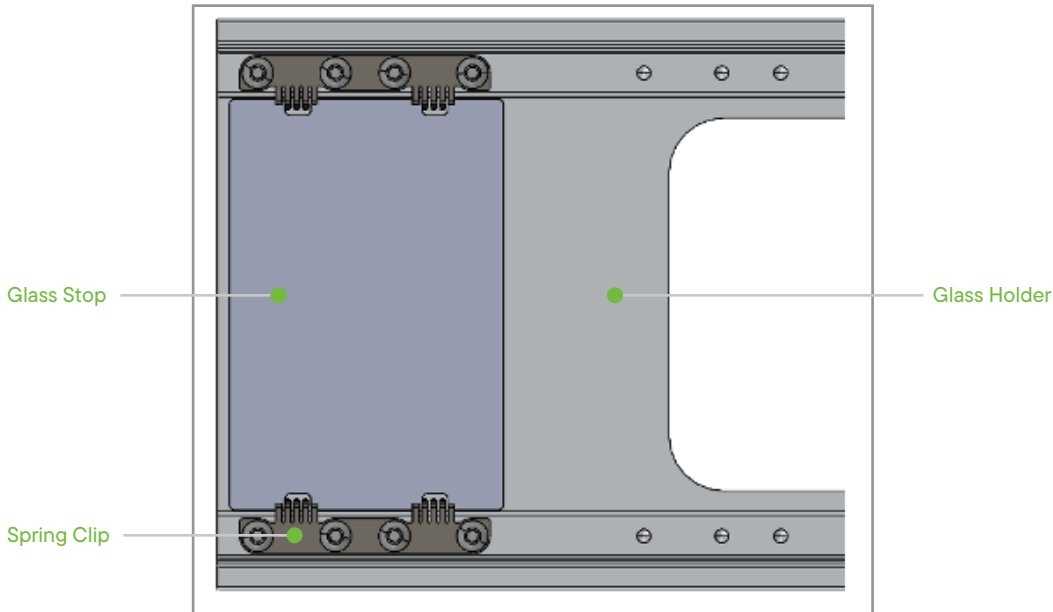
MATERIAL LIST

PART NUMBER	PART DESCRIPTION	54816	56467	56264	56368	54664
54816	Glass, 2.0x75x450mm	2	-	-	3	-
56488	Glass, 2.0x75x525mm	-	2	-	-	-
56202	Glass, 2.0x75x600mm	-	-	2	-	-
54660	Glass, 2.0x75x500mm	-	-	-	-	3
54262	Spring Clip	10	10	10	12	12
54665	Screw, M3x3	40	40	40	48	48
54666	Secondary Glass, Retainer, VC	2	2	2	2	2
54830	Window Frame Spacer	1	1	1	1	1
54663	Glass Stop	2	2	2	2	2
Various	Glass Holder	1	1	1	1	1



Installation

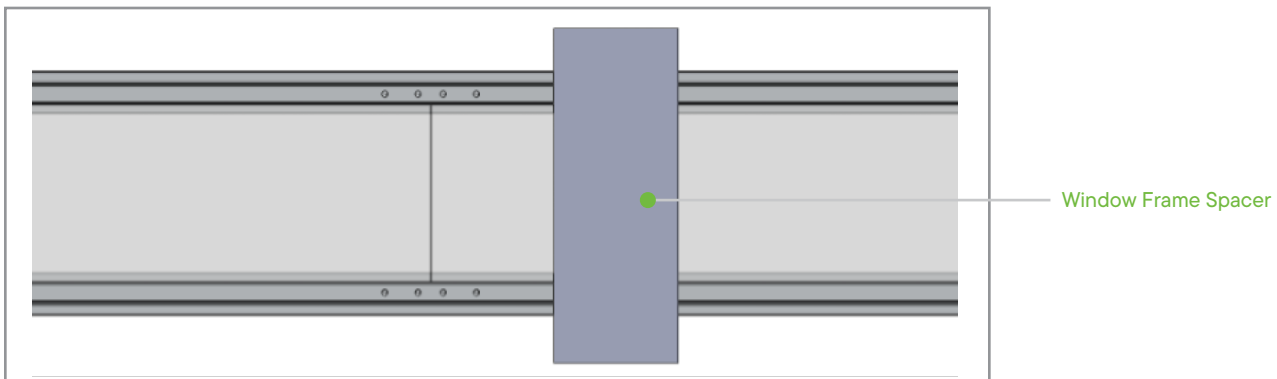
1. Begin by placing the glass holder on a clean flat surface with screw holes facing up.
2. Install glass stops at each end of the frame by using two spring clips and 4 , M3x3mm button head screws as shown below. Torque screws to approximately 0.5 Nm.



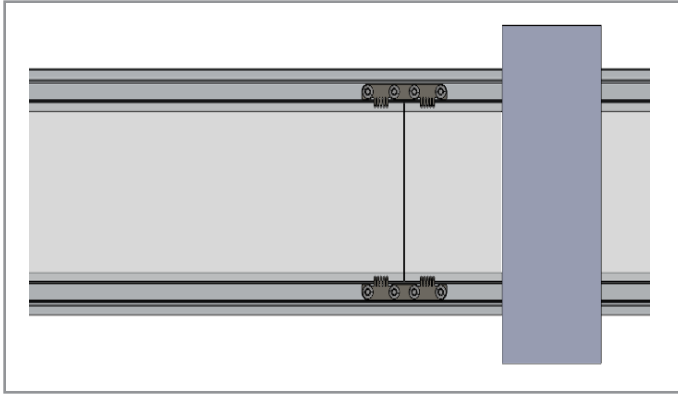
3. Clean the quartz windows with isopropyl alcohol and a clean lint-free cloth.
4. Place the quartz windows next to one another centered in the window frame.



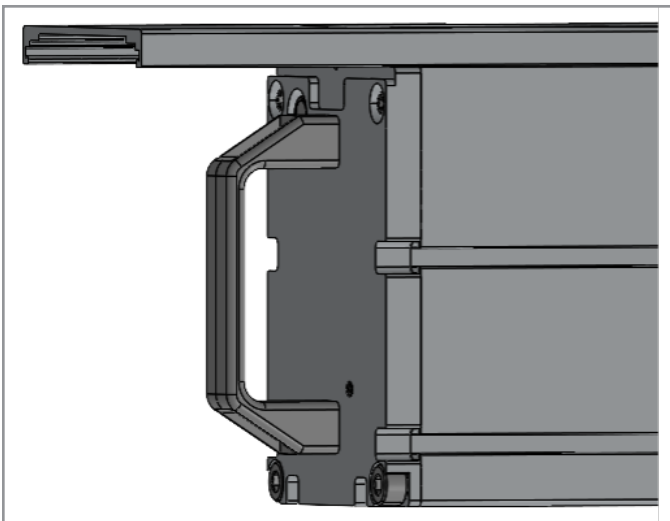
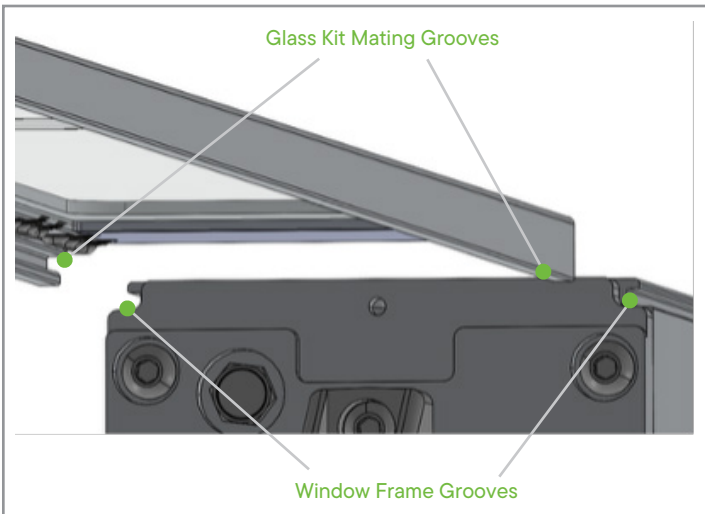
5. Place the alignment tool over the frame as shown to maintain proper spacing.



6. Ensure quartz plates are centered and butted up to one another. Install spring clips and screws as shown. Torque screws to 0.5 Nm.



7. Repeat this process for all locations.
8. Install the glass kit onto the lamp by aligning the mating grooves on the bottom surface of the glass kit into the window frame groove.



9. Secure assembly with secondary glass retainers at each end to complete the installation.

Secondary Glass, Retainer (2x)

