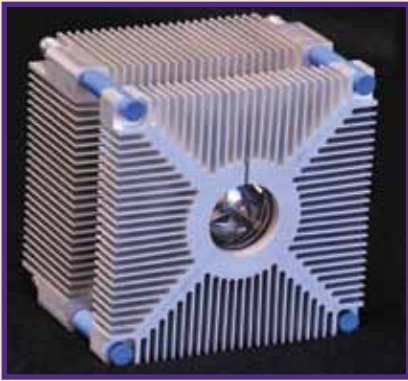


## Cermax® Xenon Metal-Body, High Watt (MEHW) Lamps



Excelitas' new metal-body, high watt lamps are available in 1000 – 3000 Watts, air and water-cooled models.



### Key Features and Benefits

- Metal-body construction
  - improved thermal conductivity
  - less cooling required
  - reduced noise levels
- High-precision diamond-turned reflector
  - accurate beam profile
  - unsurpassed uniformity
  - excellent lamp-to-lamp consistency
- Water and air-cooled models
- 500 hour warranty with 1,500 hour expected lifetime
- Robust construction – safe, reliable operation

### Applications

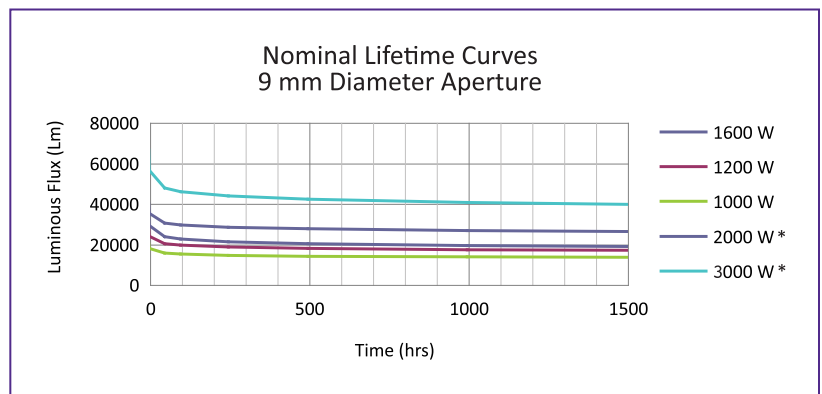
- Large venue video products
- Simulation
- D- and E- Cinema

### Overview

The metal-body, high power (MEHW) Cermax® Xenon light engine by Excelitas is the latest breakthrough in Xenon lighting technology for a range of demanding entertainment applications where performance and reliability are critical. Cermax Xenon by Excelitas is the lamp of choice for today's premier video projection, simulation, and Digital and E-Cinema applications.

Excelitas' newest metal-body, high power lamps deliver superior Cermax Xenon color, are available in various model configurations – including both air- and water-cooled models - and provide the compact footprints needed for today's D-cinema and large venue markets. The metal-body construction of our next generation Cermax Xenon technology requires significantly less cooling than prior generation models, offering you many advantages including higher brightness levels, lower noise levels, longer lifetimes, and lower risk of catastrophic failure, all at lower costs.

The Cermax MEHW family of high power lamp modules is the right choice for supporting your next generation entertainment illumination systems. Benefit from the power of Cermax Xenon – lighting technology for the perfect image.



\*The curves for 2000 W and 3000 W lamps are based on simulation results; all others are based on experimental data.

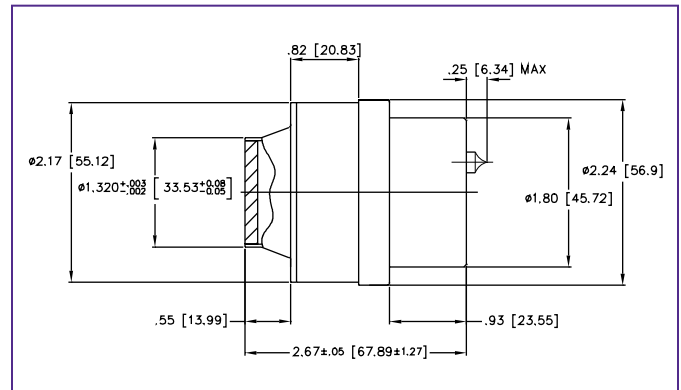
# Cermax® Xenon Metal-Body, High Watt (MEHW) Lamps

**Table 1.** Specifications

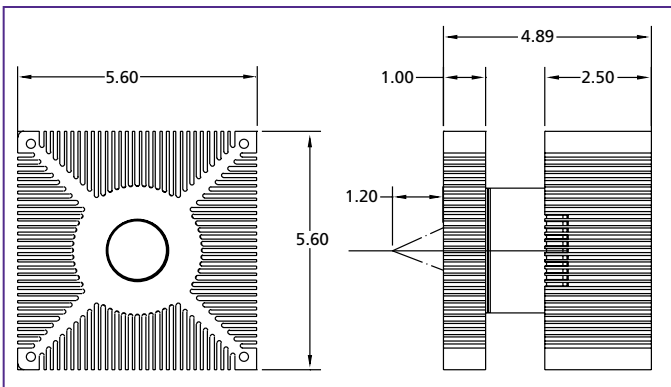
Power	Nominal	(Watts)	1000W	1200W	1600W	2000W 4	3000W 4
	Range	(Watts)	800 - 1000	850 - 1200	1200 - 1600	1800 - 2000	2600 - 3000
Current	Range	(Amps)	42 - 55	45 - 65	60 - 80	90 - 100	95 - 115
Voltage	Nominal Initial	(Volts)	18.5	18.5	19.5	20	28
Initial 9 mm Light Output		(Lumens)	20000	27000	35000	40000	60000
Maximum Operating Temperature <sup>1</sup>		(°C)	180	180	180	180	180
Minimum Ignition Voltage at Lamp <sup>2</sup>		(kV)	25	25	27	35	40
Minimum Ignition Pulse Duration <sup>2</sup>		(nS)	75	75	100	100	100
Radiant Output <sup>3</sup>		(Watts)	230	275	368	460	690
UV Output <390nm <sup>3</sup>		(Watts)	12	14.5	19	24	36
IR Output >770nm <sup>3</sup>		(Watts)	140	170	225	280	420
Color temperature		(Kelvin)	6000	6000	6000	6000	6000

**Notes:**

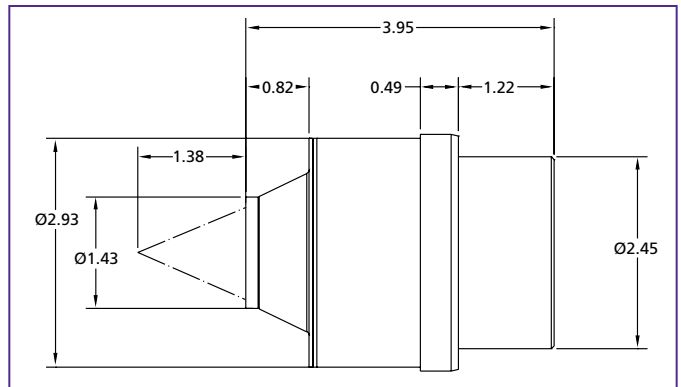
- (1) Optimum operating temperature 120 – 150(°C)
  - (2) Ignition requirements assuming use of a Excelitas-approved power supply
  - (3) Total nominal output from lamp in all directions
  - (4) MEHW 2000 and 3000 Watt specifications are based upon preliminary data
- Specifications subject to change without notice.



**Figure 1.** Dimensions, Cermax Xenon MEHW Lamp, 1000 Watt – 1600 Watt



**Figure 2.** Configuration, Cermax Xenon MEHW Module, 1000 Watt – 1600 Watt



**Figure 3.** Dimensions, Cermax Xenon MEHW Lamp, 2000 Watt -3000 Watt (Preliminary)

Excelitas Technologies  
 Illumination, Inc.  
 44370 Christy Street  
 Fremont, California 94538-3180 USA  
 Telephone: (+1) 510.979.6500  
 Toll-free: (+1) 800.775.6786  
 Fax: (+1) 510.687.1140  
[www.excelitas.com](http://www.excelitas.com)



For a complete listing of our global offices, visit [www.excelitas.com/ContactUs](http://www.excelitas.com/ContactUs)

Copyright ©2011 Excelitas Technologies Corp. All rights reserved. Excelitas® is a registered trademark of Excelitas Technologies Corp. All other trademarks are the property of their respective owners. Excelitas reserves the right to change this document at any time without notice and disclaims liability for editorial, pictorial or typographical errors.