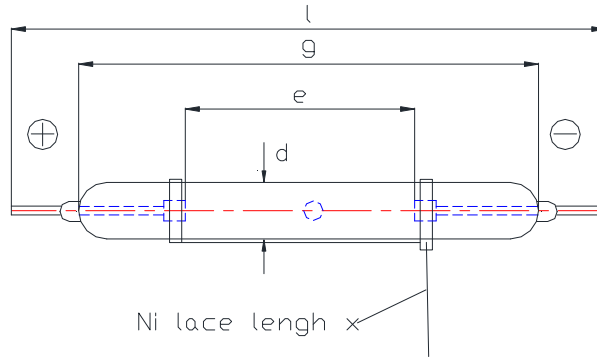


**DGS 0610**

**Stroboscopic, Linear, 10 Watt, Quartz**



**Dimensional Specifications (mm)**

Arc Length (e)	Glass Body Length (g)	Overall Length (l)	Glass Diameter (d)	Radius (r)	Pin Distance (a)	Trigger length (x)
10	30	44	6 dia	-	-	80

Notes: 1) Envelope material: Q2. 2) lamps are Rohs compliant

**Operating Specifications:**

Max. Power $P_{max}/W$	10	Trigger coil TR	ZS 1052
Nom. Power $P_{nom} / W$		Trigger capacitor $C_z/\mu F$	0.047
Max. flashenergy $E_{max}/Ws$		Min. trigger voltage $U_z \text{ min}/V$	250
Nom. flashenergy $E_{nom}/Ws$		Trigger contact S	
Max. anode voltage $U_{amax}/V$	360	Flash frequency/Hz	5 - 100
Nom. anode voltage $U_{anom}/V$	320	Life/Number of flashes/N	500 hrs
Min. anode voltage $U_{amin}/V$	280	Repetition rate $t_{rep}/s$	
Nom. flash capacitor $C_B/\mu F$	0.1	Sec trigger voltage $U_z \text{ sec} / KV$	-ve
Light reduction after life/ %		Unloaded	

For a complete listing of our global offices, visit [www.excelitas.com/locations](http://www.excelitas.com/locations)

© 2021 Excelitas Technologies Corp. All rights reserved. The Excelitas logo and design are registered trademarks of Excelitas Technologies Corp. All other trademarks not owned by Excelitas Technologies or its subsidiaries that are depicted herein are the property of their respective owners. Excelitas reserves the right to change this document at any time without notice and disclaims liability for editorial, pictorial or typographical errors.