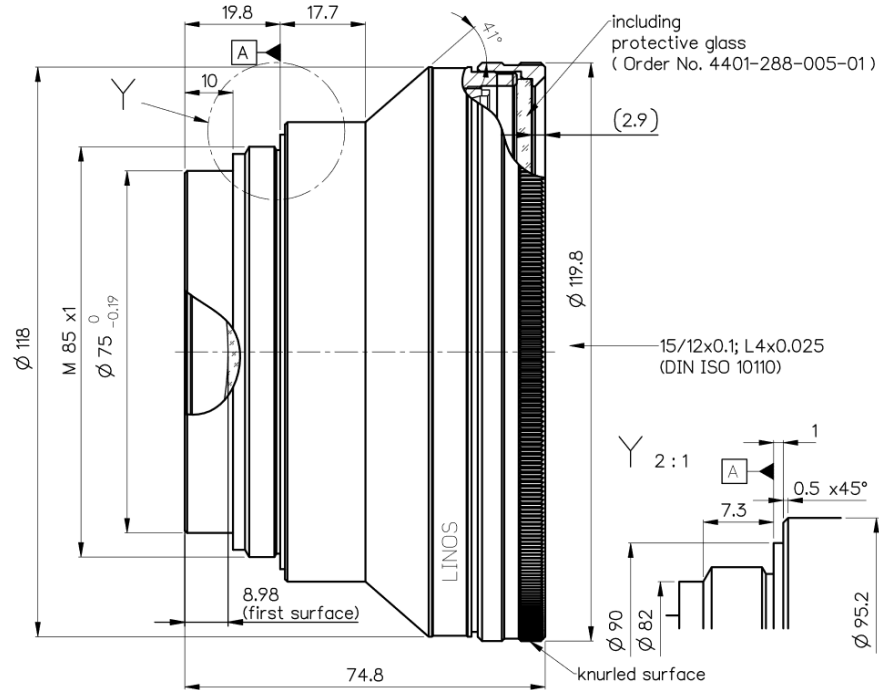


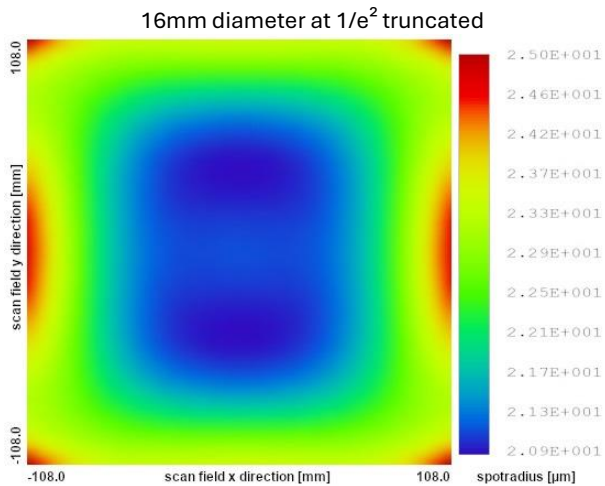
Mechanical drawing



Dimensions without tolerances are nominal values and illustration not to scale

Spot variation over scanfield

Spot radius in μm at $1/e^2$ level for a Gaussian laser beam ($M^2=1$)
field size and mirror distances as given above for a 2 mirror scan system



Notes

For technical explanations, see our homepage.

[LINOS Laser Material Processing Optics | Excelitas](#)

In a 1-mirror system, the entrance pupil (EP) is the position of the scan mirror. In a 2-mirror system, it is the point where the scan mirrors should be placed around symmetrically to reach specified performance.

The actual LIDT of the lens, as well as effects such as thermal focus shift, depend on the specific system setup and laser parameters. We recommend testing the respective optical components before use. We are happy to support and advise you in selecting the right F-Theta lens!